

Board Level Cooling – Space Saving 5925



BOARD LEVEL COOLING – Space Saving 5925

Space Saving 5925 is a series of staggered fin board level heat sinks designed to cool TO-220 and TO-220-single gauge devices. Representative image only.

ORDERING INFORMATION

Part Number	Device Type
592502B02800G	TO-220, TO-220-single gauge
592502B03400G	TO-220, TO-220-single gauge



HEAT SINK DETAILS

Property	Details
Material	Aluminum
Finish	Black Anodize
Device Attachment Options	Requires Mounting Kit
Thermal Interface Material	-

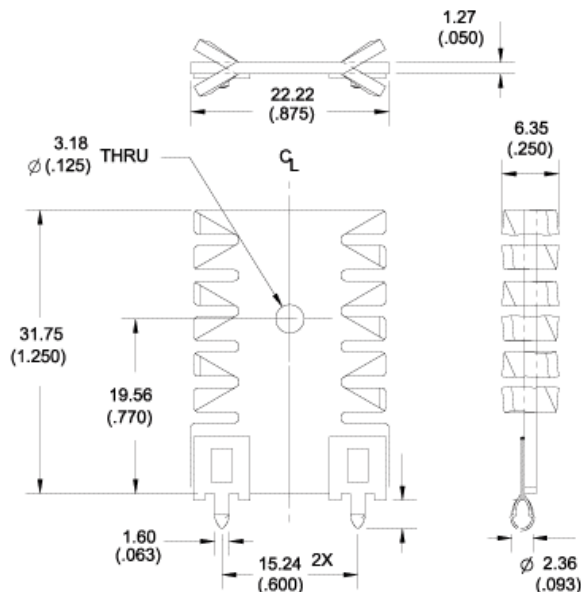
Property	Details
Heat Sink Width (mm)	6.35
Heat Sink Length (mm)	31.75
Heat Sink Height (mm)	22.22
Heat Sink Mounting Direction	Vertical

MECHANICAL & PERFORMANCE

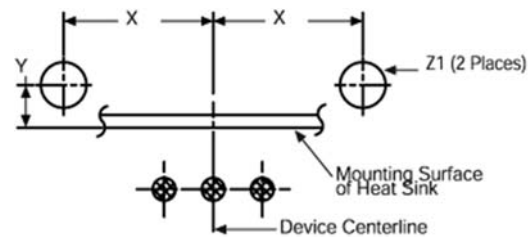
Drawing dimensions are shown in mm, (in)

Part Number	"Y" Dim	"Z" Dim
592502B02800G	-	-
592502B03400G	1.14 (0.045)	2.39 (0.094)

Part Number: 592502B02800G

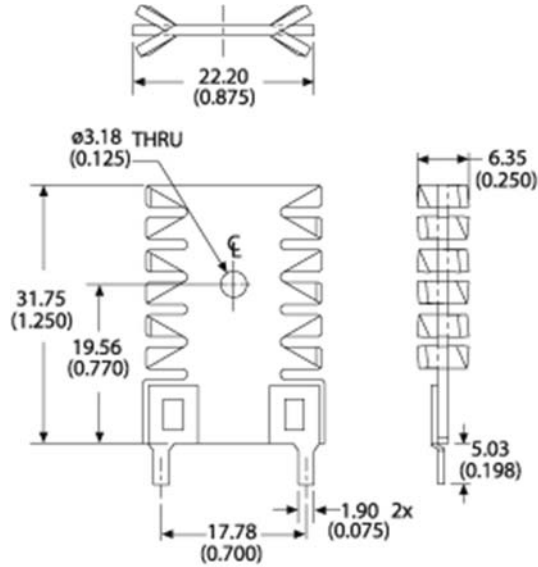


Mounting Details:



Board Level Cooling – Space Saving 5925

Part Number: 592502B03400G



Mounting Details:

